

SONY® Service Bulletin

NO: CTV-98-001

SUBJECT: VERTICAL JITTER; R504 AND/OR R521 DAMAGED

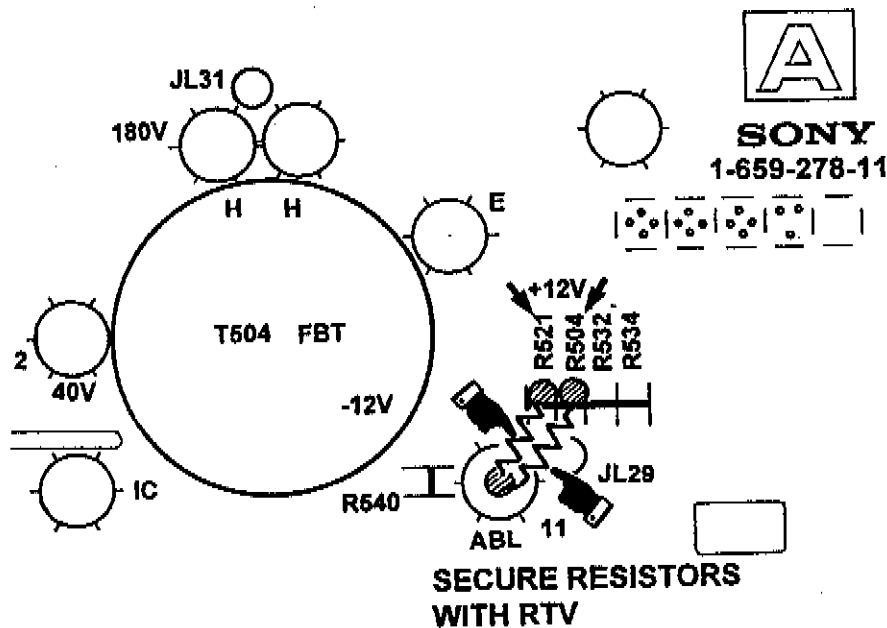
DATE: MARCH 1998

MODEL (S): KV-9PT50, KV-9PT60

Symptom: The picture exhibits vertical jitter. This problem may occur if R504 and/or R521 are damaged.

Solution: If the above symptom is found to be caused by damaged R504 and/or R521 on the A-board, replace both resistors with the parts shown below.

REF	FORMER		NEW	
	DESCRIPTION	PART NUMBER	DESCRIPTION	PART NUMBER
R504,R521	RESISTOR, 10K, SURFACE MOUNT, 1/10W	1-216-073-00	RESISTOR, 10K, LEAD TYPE, 1/4W	1-249-429-11



SONY®

Service Bulletin

NO: CTV-98-002

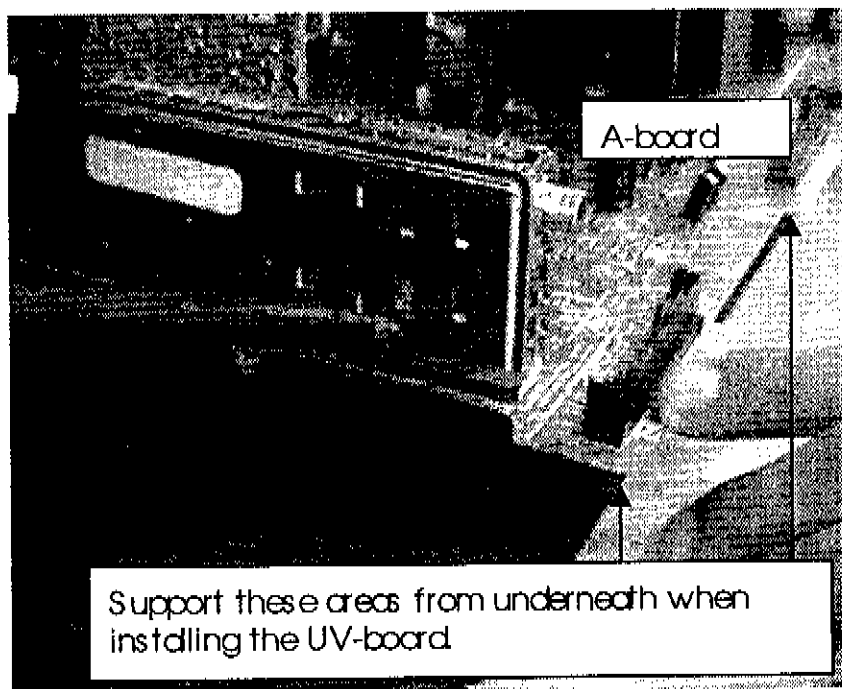
SUBJECT: PREVENTING DAMAGE TO A-BOARD DURING SERVICING

DATE: MARCH 1998

MODEL (S): KV-27V36, KV-32V26, KV-32V36, KV-35V36

Symptom: The rear portion of the A-board extends beyond the circuit board support rails of the front cabinet. Consequently, cracked or broken solder joints, lifted lands, or board breakage may occur if pressure is applied to the rear portion of the A-board during servicing. This is especially true when installing the UV-board onto the A-board, which may result in the aforementioned damage in the area of the tuner.

Solution: Prevent A-board damage by carefully handling the board during servicing. Be sure to support the A-board from the underside when installing the UV board to prevent any undue stressing of the A-board.



SONAM341

Sony of Canada Ltd.

411 Gordon Baker Road, Willowdale, Ontario M2H-2S6
NATIONAL LAB - CONSUMER SERVICE

SONY®

Service Bulletin

NO: CTV-98-003

SUBJECT: SCRATCH NOISE IN PICTURE, WHEN IN PIP MODE

DATE: MARCH 1998

MODEL (S): KV-32XBR48, 35XBR48

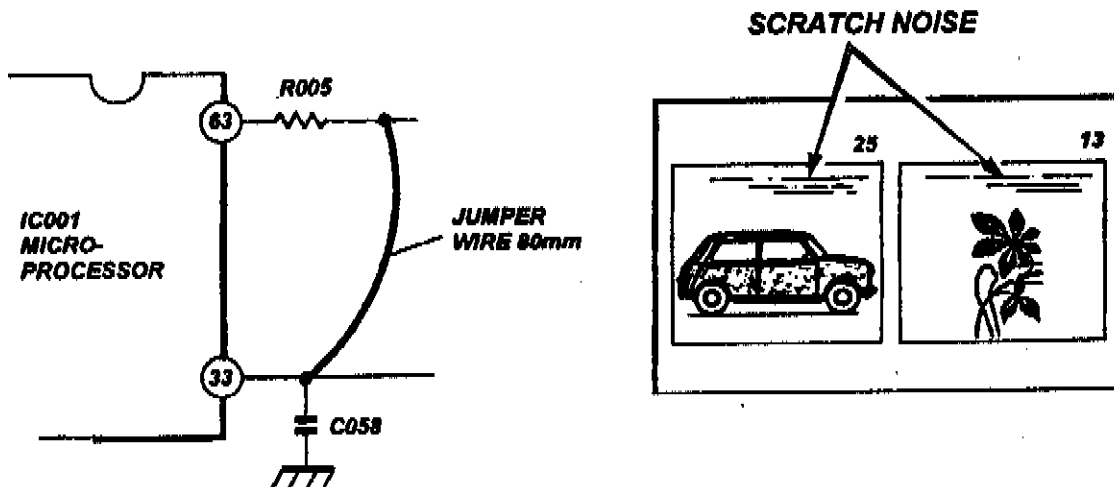
Symptom: If two different signal sources are displayed when in the PIP mode is selected, a scratch noise (lines in picture) may appear in the picture.

Solution: The following changes will need to be made to correct this symptom.

1. The PX board must be replaced with **PIN 1-666-471-XX**.
2. Replace the Microprocessor (-001S)CXP85856A-001S (labeled for PIP scratch Noise)
3. Modify the A board (suffix -11): connect the lands of C058 and R005 using a jumper wire (80mm)

The PX board and Microprocessor is available as a Kit.

PART NO.	DESCRIPTION
T-9350077-1	Scratch Kit



SONAM123 F

SONY® Service Bulletin

NO: CTV-98-004

SUBJECT: NEW TUNER REPLACEMENT

DATE: MARCH 1998

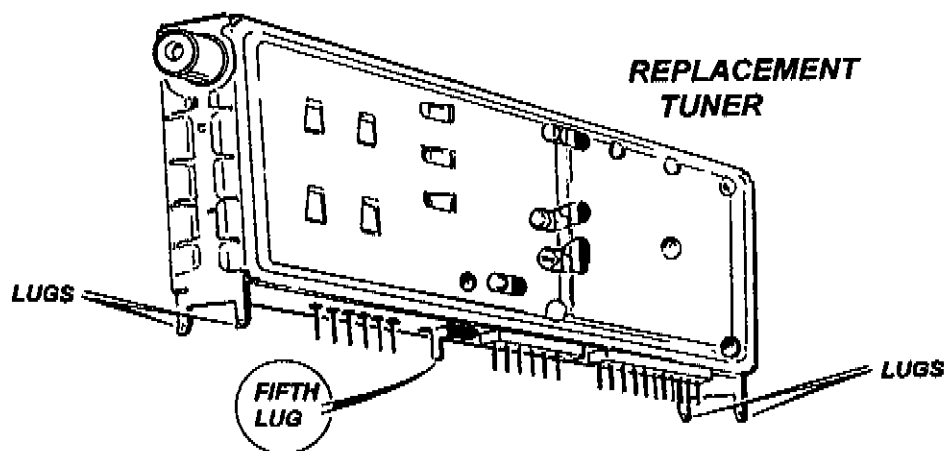
MODEL (S): SEE LISTED BELOW

Model: KV-13M20, 20M20, 20S20, 20S21, 20S30, 20V60,
KV-27S20, 27S22, 27S25, 27S26, 27S36, 27V36,
KV-32S20, 32S22, 32S25, 32S26, 32S36, 32V25, 32V26, 32V35, 32V36,
KV-35S26, 35V36,
KV-32XBR48, -35XBR48

Symptom: New replacement tuner has five ground lugs compared to four on the original tuner. Board does not have a hole to accommodate the fifth lug.

Solution: When replacing the tuner with the new replacement tuner it will become necessary to remove the fifth lug, located in the middle of the tuner.

Description	Former Part Number	New Part Number
Tuner (BTF-WA404)	8-598-340-10	8-598-340-20



SONAM339

Sony of Canada Ltd.

411 Gordon Baker Road, Willowdale, Ontario M2H-2S6
NATIONAL LAB - CONSUMER SERVICE

SONY® Service Bulletin

NO: CTV-98-005

SUBJECT: PART NUMBER MISSING - REFERENCE NO. R543, 0.47 OHM 1/4W

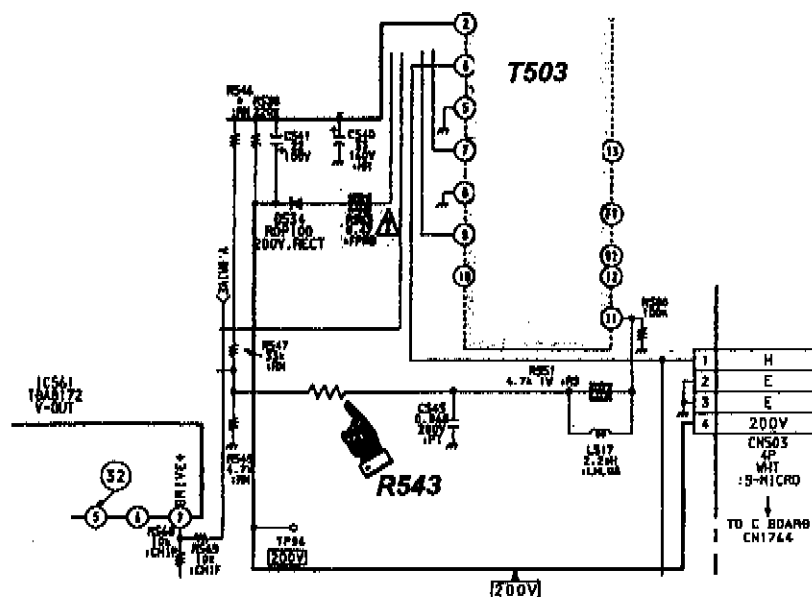
DATE: MARCH 1998

MODEL (S): KV27S20, KV27S25, KV32S20, KV32S25

Symptom: The part number for Ref # R543, 0.47 Ohm 1/4W, located on the A board, was not shown in the schematic or listed in the parts list.

Solution: Please add the following part number to the Service Manual.

REF	DESCRIPTION	PART NUMBER
R543	0.47 OHM 1/4W	1-249-377-11



A BOARD SCHEMATIC GRID LOCATION L-20

SONAM335

Sony of Canada Ltd.

411 Gordon Baker Road, Willowdale, Ontario M2H-2S6
NATIONAL LAB - CONSUMER SERVICE

SONY®

Service Bulletin

NO: CTV-98-006

SUBJECT: SUBSTITUTE FOR VERTICAL OUTPUT IC TDA8179S

DATE: MARCH 1998

MODEL (S): LISTED BELOW

Model: KV-27XBR25, 27XBR26, 27XBR35, 27XBR36, 27XBR95S, 27XBR96S
KV-32XBR25, 32XBR26, 32XBR35, 32XBR36, 32XBR90S, 32XBR91S, 32XBR95S, 32XBR96S

Symptom: The original Vertical Output IC, TDA8179S, is no Longer Available.

Solution: If the Vertical Output IC needs to be replaced, please replace with the new part below.

Ref	Former		New	
	Description	Part number	Description	Part number
IC 1501	TDA8179S	8-759-506-46	STV9379	8-759-192-71

SONAM121F

SONY®

Service Bulletin

NO: CTV-98-007

SUBJECT: PART NUMBER CORRECTION REFERENCE NO.52, BEZNET

DATE: MARCH 1998

MODEL (S): KV-32S22

Symptom: The part number listed on page 52 of the Service Manual for Ref # 52, Beznet, is incorrect.

Solution: Please note the correct part number as shown below.

REF	DESCRIPTION	PART NUMBER	
		Incorrect	Correct
52	BEZNET	4-059-287-01	4-058-287-01

SONAM334

Sony of Canada Ltd.

411 Gordon Baker Road, Willowdale, Ontario M2H-2S6
NATIONAL LAB - CONSUMER SERVICE

SONY®

Service Bulletin

NO: CTV-98-008

SUBJECT: DOUBLE IMAGES

DATE: MARCH 1998

MODEL (S): KV-27XBR45, 32XBR45

Symptom: The unit may show double images of picture or shadow when customer uses DSS or Laser Disc (very sharp image pictures).

Solution: Please try picture adjustment from Step 1 through 3 to minimize double images.

Step 1. Menu Setup Change

- (a) Hit "RESET" key on customer remote, return to original setup.
- (b) Open Menu screen and hit Video control
- (c) Open Next Page and turn ON the NR (Noise Reduction)
- (d) Exit from Menu Screen
- (e) Check picture. if not acceptable, go step 2.

Step 2. Menu Setup Change

- (a) Open Menu screen and hit Video control
- (b) Open Next Page and turn OFF the VM (Velocity Modulation)
- (c) Exit from Menu screen
- (d) Check picture. If you need more high sharpness, please adjust Sharpness control higher.
- (a) If not acceptable, go step 3.

Step 3. Service Mode Setup

- (a) Hit "RESET" key on customer remote, return to original Sharpness level.
- (b) Get into Service Mode using customer remote. (Please refer to Adjustment Manual)
- (c) Open adjustment menu "SHPL" and make note original setting.
- (d) Change the service data SHPL from original to "0 (Zero)".
- (e) Check picture. if not acceptable, continue.
- (f) Change the service data SHPF from original to "0 (Zero)".
- (g) Check picture. if not acceptable, continue.
- (h) Change the service data SSHP from original to "1"
- (i) Press "MUTE" key and then "ENTER" key on the remote, your setup data will write into Memory
- (j) Check picture. If you need more high sharpness, please adjust Sharpness control higher..

SONAM111F

Sony of Canada Ltd.

411 Gordon Baker Road, Willowdale, Ontario M2H-2S6
NATIONAL LAB - CONSUMER SERVICE

SONY®

Service Bulletin

NO: CTV-98-009

SUBJECT: NEW CLOSED CAPTION IC

DATE: MARCH 1998

MODEL (S): SEE LISTED BELOW

Models: KV-27S20, KV-27S25, KV-27V20, KV-27V25, KV-27V35, KV-32S20
KV-32S25, KV-32V25, KV-32V35, KV-35S26, KV-35V36

Symptom: No Closed Caption on premium channels.

Solution: If the customer experiences the symptom above and the Closed Caption setting are correct, please replace IC001 with the IC below.

Ref	Former	New	Part Number
IC-001	CXP85640-004s	CXP856P4OS-1	T-935-001-61

Note: After replacing the IC-001 go into the Service Mode. Select "CRIW" and change the setting from 15 to 3.

This IC contains three additional adjustments. They are used in AA-2D chassis. They have nothing to do with Closed Captioning. These adjustments are:

LBLK=7 **Left Side Blanking**
RBLK=7 **Right Side Blanking**
HBSWO=0 **Turns Blanking On.**

SONAM329R1

Sony of Canada Ltd.

411 Gordon Baker Road, Willowdale, Ontario M2H-2S6
NATIONAL LAB - CONSUMER SERVICE

SONY®

Service Bulletin

NO: CTV-98-010

SUBJECT: DRUM PART NUMBER IS INCORRECT

DATE: MARCH 1998

MODEL (S): KV13VM30, 20VM30

Symptom: The pan number for the Drum Assembly, Ref. A-01, in the Service Manual, is incorrect.

Solution: Please order the complete Drum Assembly using the part number below.

Note: The upper and lower drum can not be ordered separately. The complete drum must be replaced.

REF	FORMER		NEW	
	DESCRIPTION	PART NUMBER	DESCRIPTION	PART NUMBER
A-01	Drum Assy	9-908-441-01	Drum Assy complete	9-939-417-01

SONAM337

Sony of Canada Ltd.

411 Gordon Baker Road, Willowdale, Ontario M2H-2S6
NATIONAL LAB - CONSUMER SERVICE

SONY® Service Bulletin

NO: GA2-97-008R1

SUBJECT: MISSING TRACE ON MAIN BOARD SCHEMATIC

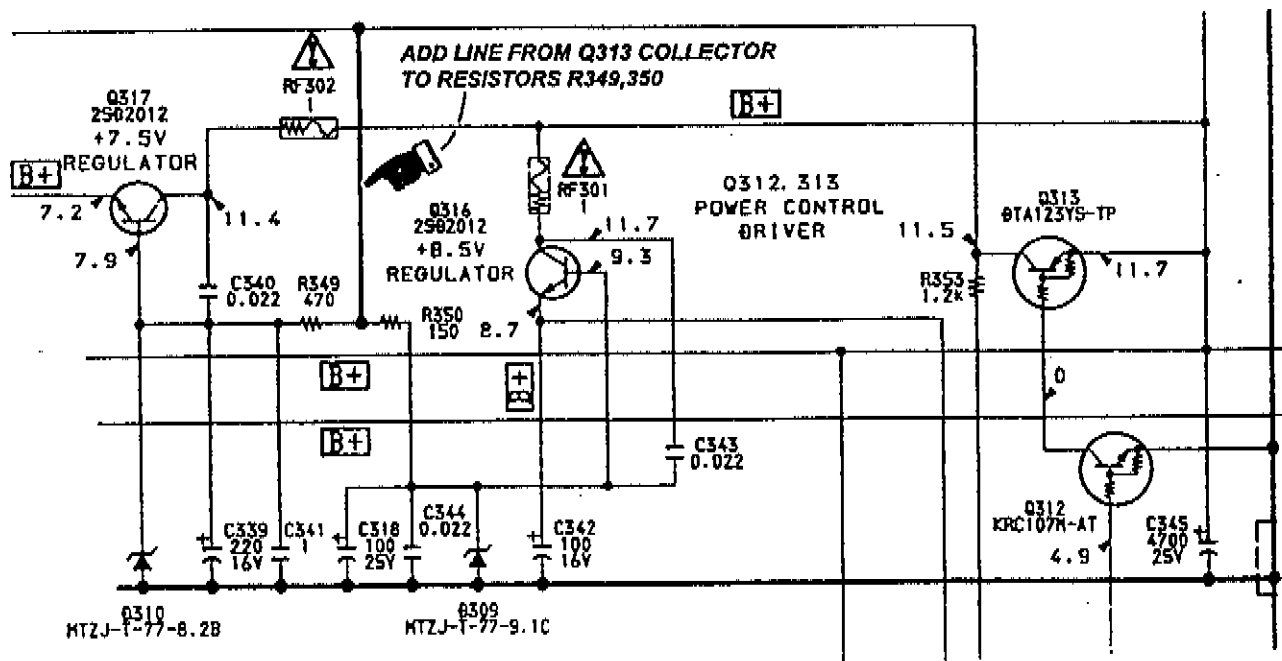
DATE: DEC. 1997

MODEL (S): CFD-565

PLEASE DISCARD PREVIOUS ISSUED GA2-97-008

SYMPTOM: The Schematic Diagram of the main board is missing the connection between the Collector of Q313 and the resistors R349 and R350 (see page 39 sections D-15 and E-15). The Trace does show up in the physical diagram.

SOLUTION: Look at the figure below and make the necessary changes to your Manual.



SONAM 451

SONY®

Service Bulletin

NO: GA2-98-001

SUBJECT: INCORRECT CONTROL SIGNAL OUTPUT WHEN USING OPTICAL OUTPUT

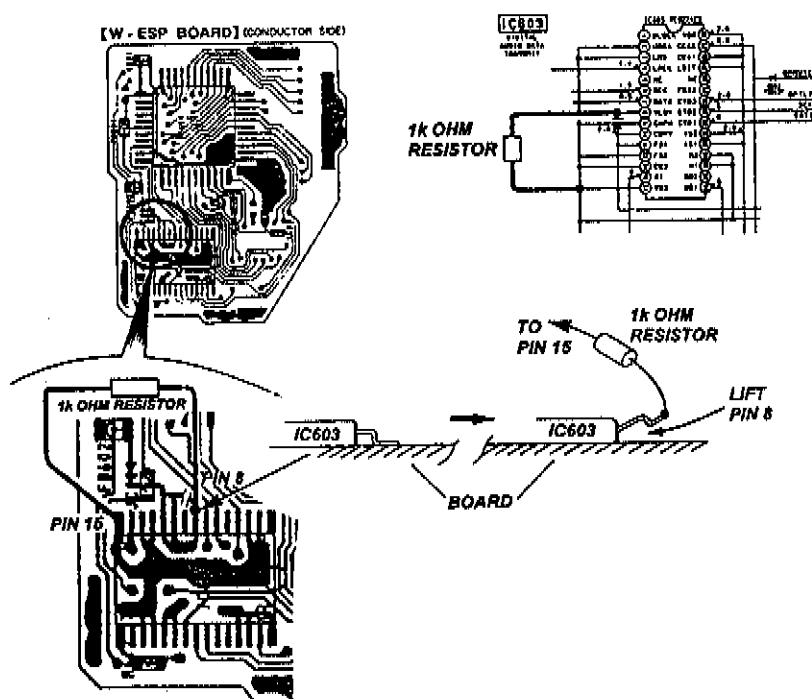
DATE: MARCH 1998

MODEL (S): D-465, D-365

Symptom : When recording from this unit to a Mini disc of DAT player, the level meter on the record device does not respond to the input signal, and / or you are unable to monitor the recording through the record devices output (headphone or line).

Solution: Lift pin 8 of IC 603 of the W-ESP board, and place a 1 k ohm resistor between Pin 8 and Pin 15 of the IC

DESCRIPTION	PART NUMBER
CARBON RESISTOR 1K OHM, 1/4W	1-247-831-11



GA02197,97012
SONAM457
GA97013

SONY® Service Bulletin

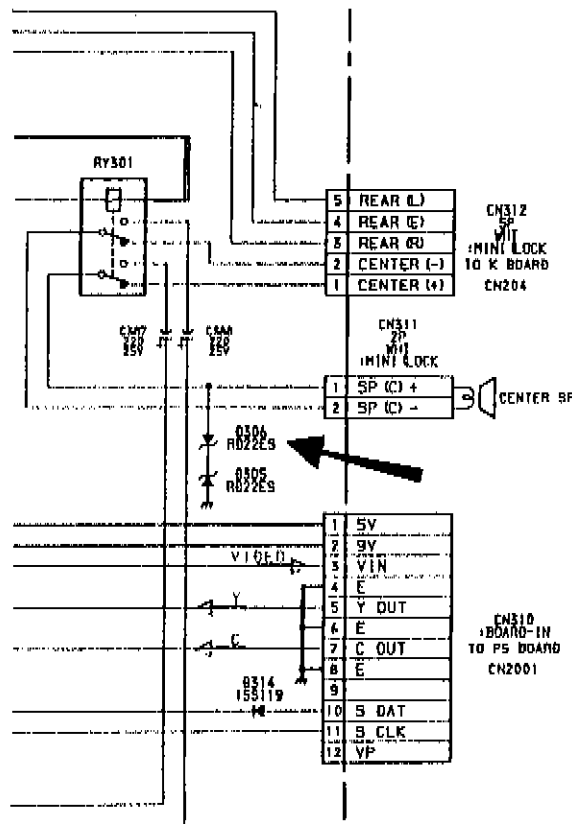
NO: PTV-98-001

SUBJECT: SERVICE MANUAL CORRECTION

DATE: MARCH 1998

MODEL (S): KP53XBR45, KP61XBR48

On page 53 of service manual, D304 is misprinted as D306 in the schematic diagram near the centre speaker connector CN311.



SONY®

Service Bulletin

NO: PTV-98-002

SUBJECT: DAMAGE OF VELCROS TO HOLD SP GRILLE

DATE: MARCH 1998

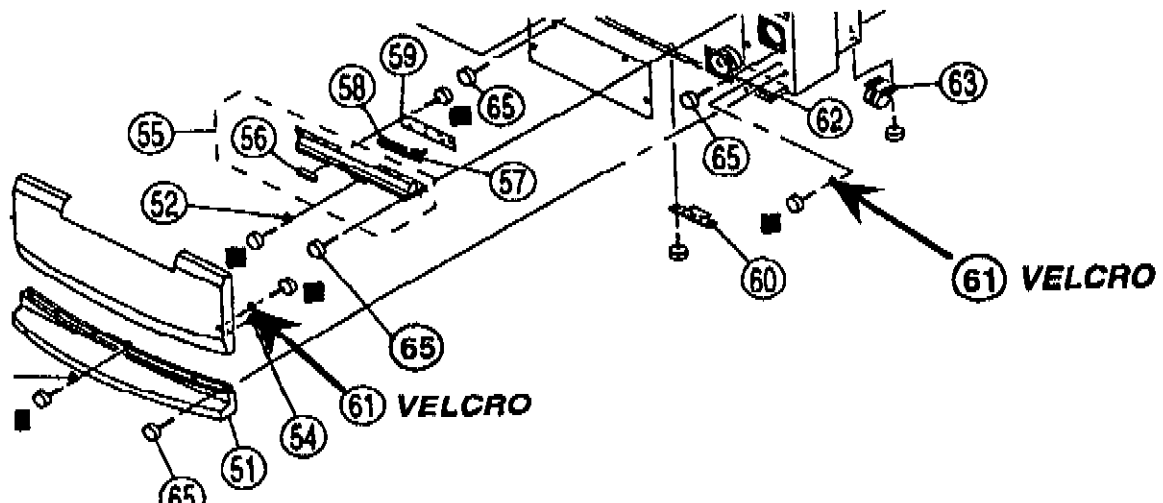
MODEL (S): KP53V45

Symptom: When removing / putting speaker grille, the Velcros holding the grille may be damaged.

Solution: Replace the broken Velcro(s) with the new type Velcro as below. (The old and new ones look the same.)

4 Velcros (same type) each are used on speaker and cabinet sides respectively.

PART NO.	DESCRIPTION
4-058-745-02	Velcro (new type)



TVA97001

Sony of Canada Ltd.

411 Gordon Baker Road, Willowdale, Ontario M2H-2S6
NATIONAL LAB - CONSUMER SERVICE

SONY®

Service Bulletin

NO: PTV-98-003

SUBJECT: CONTRAST SCREEN REPLACEMENT

DATE: MARCH 1998

MODEL (S): KP48S35

Symptom: If the contrast screen should need to be replaced, due to surface scratches, etc. it may not fit. There are two different sizes of screens and holders for each of them.

Solution: Please replace the contrast screen using the SCN-48X2 Contrast Screen Kit.
Replace using the entire kit parts and not just the contrast screen.

DESCRIPTION	PART NUMBER
CONTRAST SCREEN KIT	SCN-48X2

SONY®

Service Bulletin

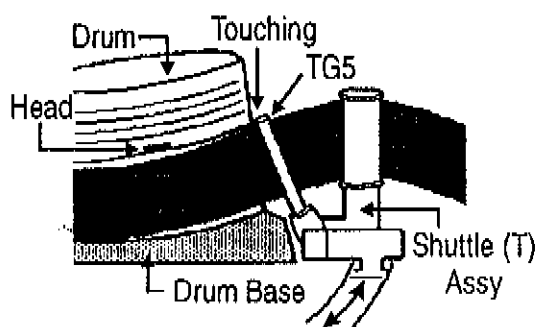
NO: VCR-98-001

SUBJECT: DAMAGED OR CLOGGED DRUM HEADS

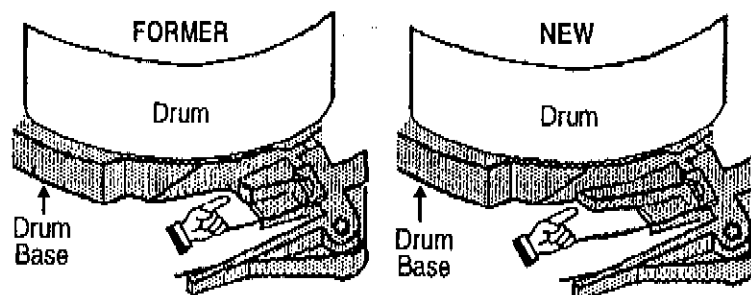
DATE: March 10, 1998

MODEL (S): VHS GEN H-MECH

Symptom: Occasionally, for H-Mech models with Drum Base, when the tape is loading/unloading, TG5 may touch the drum causing the heads to be clogged or damaged.



Solution: Replace the "Drum Base" with the new part 3-969-632-04 whenever replacing the "Drum Assy" or the "Upper Drum Assy".



APPLICABLE MODELS :

Units equipped with a former type of "Drum Base"

SONAM277
K975010R
HV01797R

Sony of Canada Ltd.

411 Gordon Baker Road, Willowdale, Ontario M2H-2S6
NATIONAL LAB - CONSUMER SERVICE

SONY®

Service Bulletin

NO: VCR-98-002

SUBJECT: NO MECHANICAL OPERATION

DATE: MARCH 1998

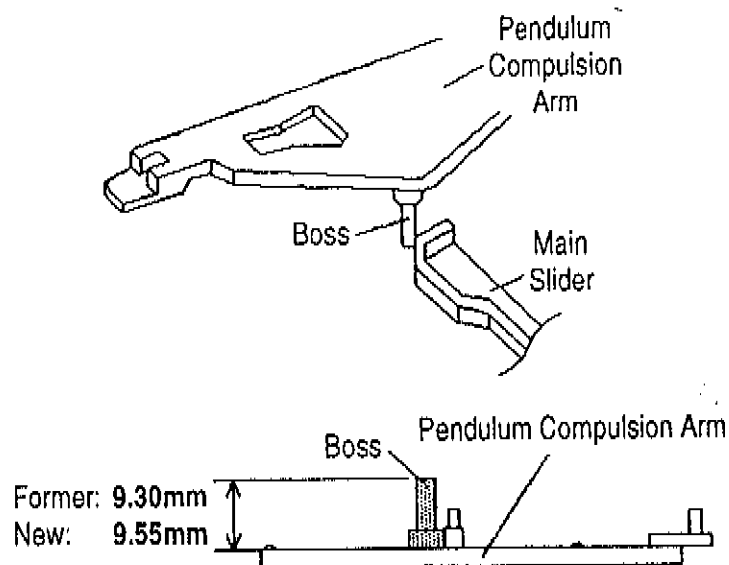
MODEL (S): GEN VCR

H MECHANISM

SYMPTOM: Occasionally the set does not start playing back, especially right after loading a cassette. At the same time, a reel rotation error appears on the display.

CAUSE: The "T Reel" does not rotate as the boss of the "Pendulum Compulsion Arm" blocks the "Main Slider".

SOLUTION: Replace the "Pendulum Compulsion Arm" with the new part 3-960-138-03.



HV03097
SLVK975023

Sony of Canada Ltd.

411 Gordon Baker Road, Willowdale, Ontario M2H-2S6
NATIONAL LAB - CONSUMER SERVICE

SONY®

Service Bulletin

NO: VCR-98-003

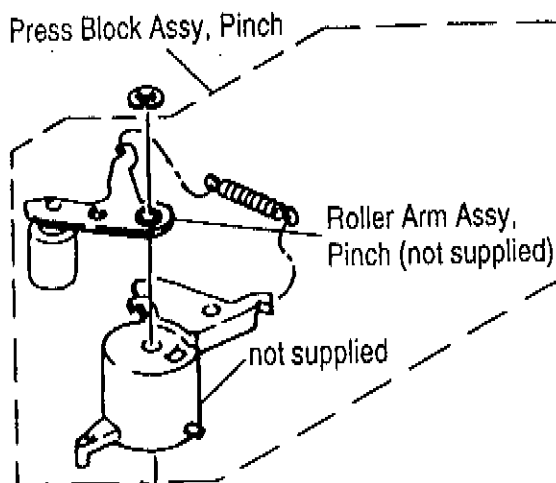
SUBJECT: PART NUMBER INFO : PRESS BLOCK ASSY, PINCH

DATE: MARCH 1998

MODEL (S): H, S MECHANISM

Contrary to the information given in some Service Manuals, the part "Roller Arm Assy, Pinch" is not available as a service part. It is only the part "Press Block Assy, Pinch" which is available as a service part.

MECHANISM	DESCRIPTION	PART NUMBER
H	Press Block Assy, Pinch	A-6746-072-A
S	Press Block Assy, Pinch	A-6759-615-A



Hv00198
K97026

Sony of Canada Ltd.

411 Gordon Baker Road, Willowdale, Ontario M2H-2S6
NATIONAL LAB - CONSUMER SERVICE

SONY® Service Bulletin

NO: VCR-98-004

SUBJECT: BEEP SOUND MAY BE HEARD IN NORMAL AUDIO PLAY BACK

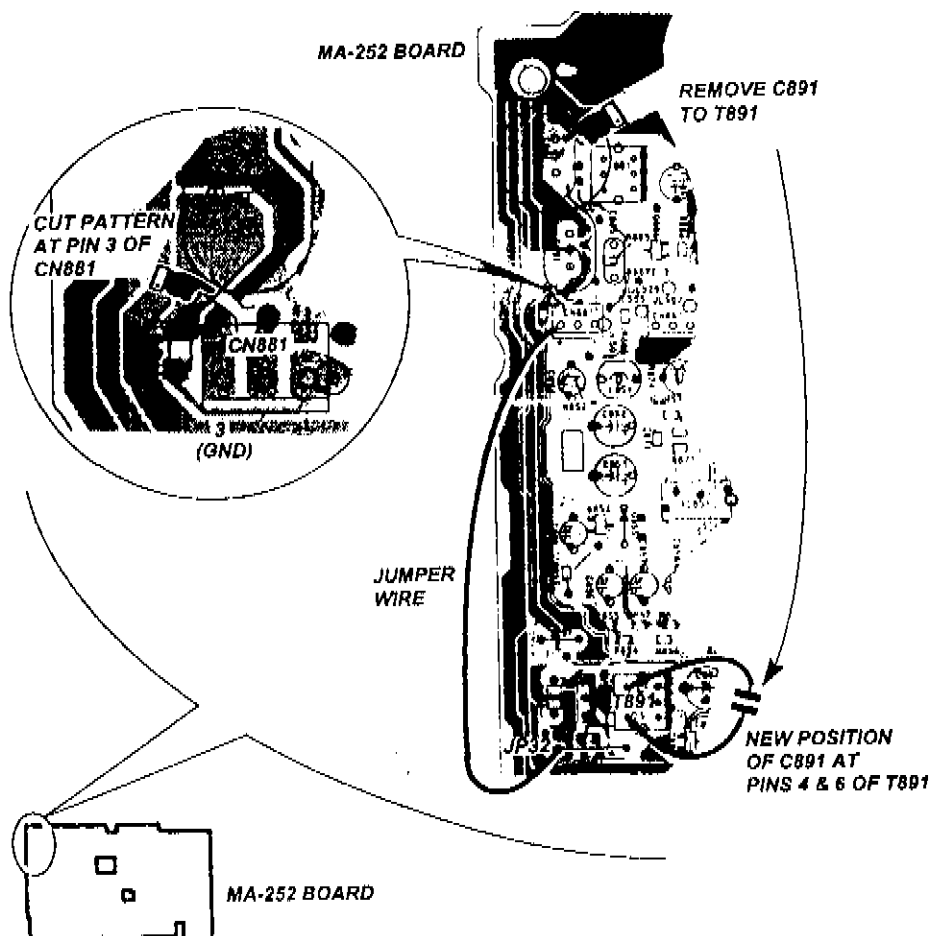
DATE: MARCH 1998

MODEL (S): SLV960HF

Symptom: When playback of normal audio on OA tape, a beep may be heard. This beep is caused by the difference of oscillator frequencies between the Full Erase and Audio Erase oscillators which might be recorded on tape.

Solution:

1. Remove C891 and re-mount it between pin 4 and 6 of T891.
2. Cut the pattern on CN881 pin 3 (GND) and connect it to JP 32 land using a wire.



SONAM270
K975001
HV00397

Sony of Canada Ltd.

411 Gordon Baker Road, Willowdale, Ontario M2H-2S6
NATIONAL LAB - CONSUMER SERVICE

SONY®

Service Bulletin

NO: VCR-98-005

SUBJECT: CHANGE OF SERVICE PART FOR TUNER (BTF-WA402)

DATE: MARCH 1998

MODEL (S): SLV620HF/640HF/740HF/741HF/780HF/940HF

The Tuner(BTF-WA402) is no longer available. Replace Tuner with new part (BTF-WA406)

FORMER		NEW	
DESCRIPTION	PART NUMBER	DESCRIPTION	PART NUMBER
TUNER(BTF-WA402)	8-598-254-00	TUNER(BTF-WA406)	8-598-342-00

SONY®

Service Bulletin

NO: VCR-98-006

SUBJECT: REPLACING MA-252 BOARD

DATE: MARCH 1998

MODEL (S): SLV760HF

PLEASE DISCARD PREVIOUS ISSUED BULLETIN NO : VCR-97-001

Symptom: MA-252 board has been changed to MA-278 board. As a result, CN-881 & CN-851 must be replaced when the MA-252 is replaced.

Solution:

FORMER	NEW		
DESCRIPTION	DESCRIPTION	PART NUMBER	CONNECTIONS ON MA-278 BOARD
HARNESS AC - 199	HARNESS AC- 107	1-956-321-11	CONNECTS CN851 & CN101 TO ACE HEAD
HARNESS FE - 97	HARNESS FE-41	1-956-322-11	CONNECTS CN881 TO FULL ERASE HEAD

SONAM278
K965022R

Sony of Canada Ltd.

411 Gordon Baker Road, Willowdale, Ontario M2H-2S6
NATIONAL LAB - CONSUMER SERVICE

SONY® Service Bulletin

NO: VCR-98-008

SUBJECT: CHANGE SERVICE PARTS OF THE TUNER

DATE: MARCH 1998

MODEL (S): EV-S5000/S7000

The following service part of the tuner is changed :

Former		New	
Part No.	Description	Part No.	Description
8-598-254-00	Tuner (BTF-WA402)	8-598-342-00	Tuner (BTF-WA406)

SONY®

Service Bulletin

NO: VCR-98-007

(1/5)

SUBJECT: DRUM SERVO ERROR

DATE: MARCH 1998

MODEL (S): SLV-640HF/740HF/741HF/760HF/780HF/790HF/
940HF/960HF

SYMPTOM: Occasionally the following drum servo errors may occur when recording or playing back a tape:

- Horizontal line on the screen.
- The RF switching position moves over the screen from bottom to top.
- Horizontal jitter on the screen.

SOLUTION: Install the "SC-38 Service Kit" (A-7092-701-A) as shown below. The kit consists of a mounted SC-38 Board, a Harness, and a Rivet. The wires of CN001 on the SC-38 Board are coded as listed below.

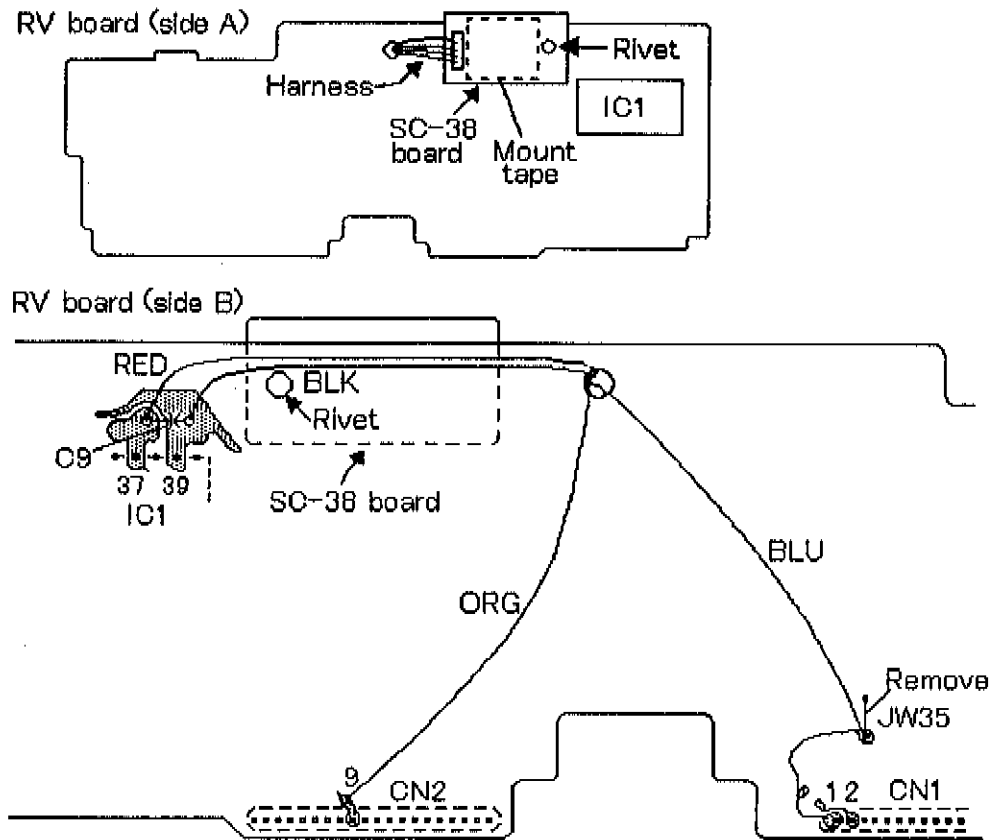
Wire	Colour	Signal
1	Red	SW 5V
2	Black	GND
3	Orange	VIDEO IN
4	Blue	C SYNC

HV02597
SLVK975022

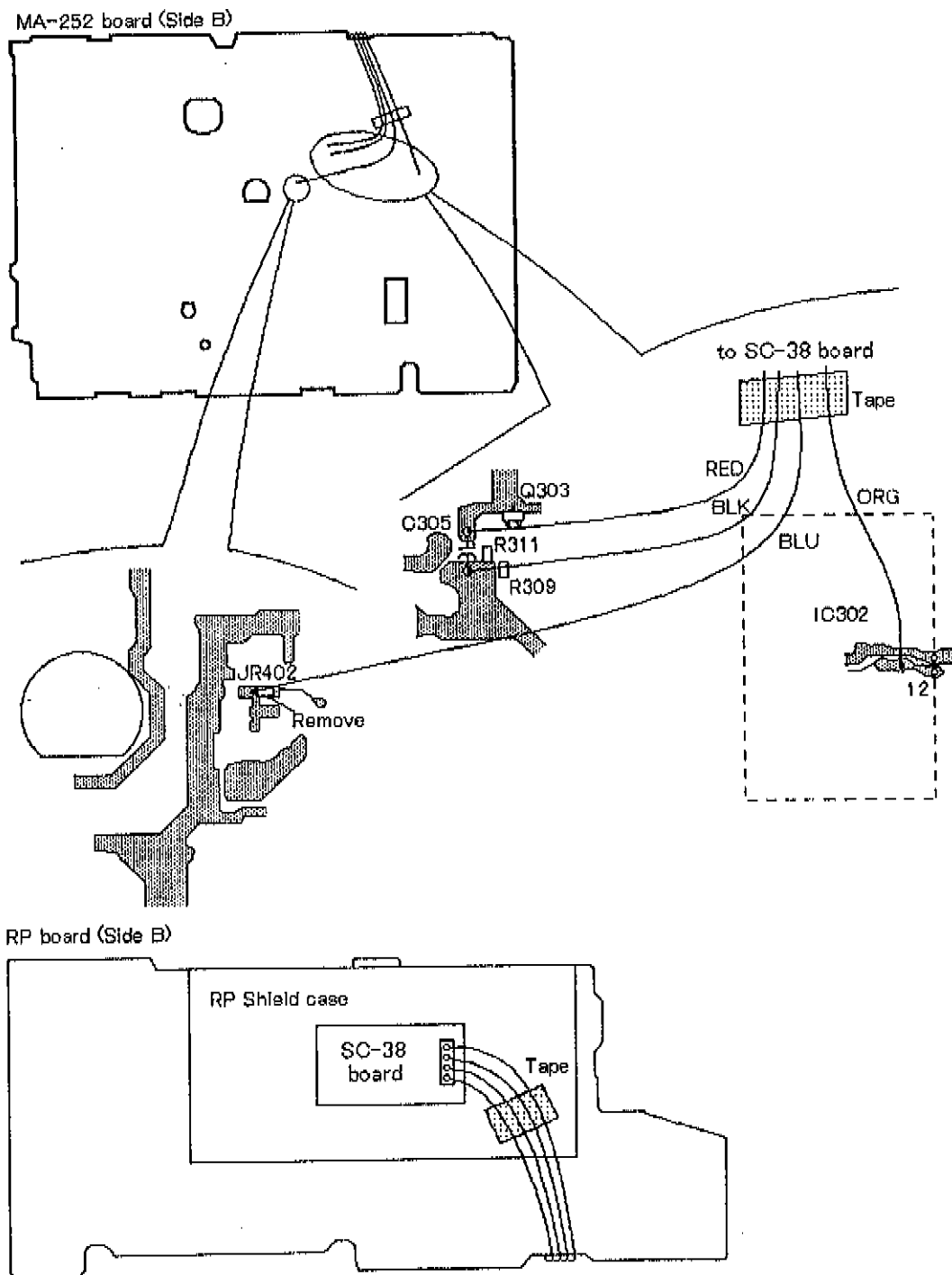
Sony of Canada Ltd.

411 Gordon Baker Road, Willowdale, Ontario M2H-2S6
NATIONAL LAB - CONSUMER SERVICE

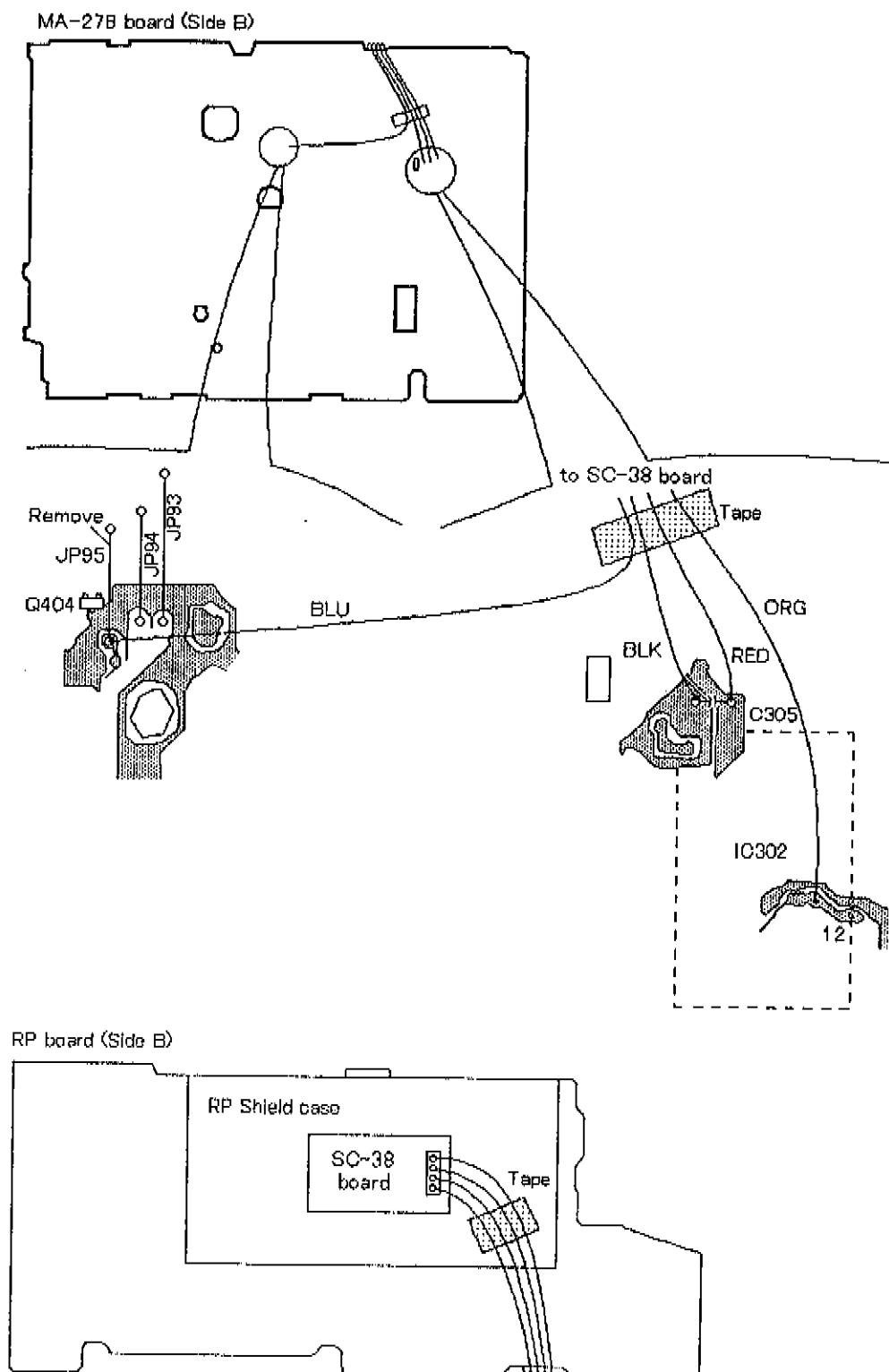
1. SLV-640HF, 740HF, 741HF, 780HF, 940HF



2. SLV-760HF (MA-252 BOARD)



3. SLV-760HF (MA-278 BOARD)



4. SLV-790HF, 960HF

